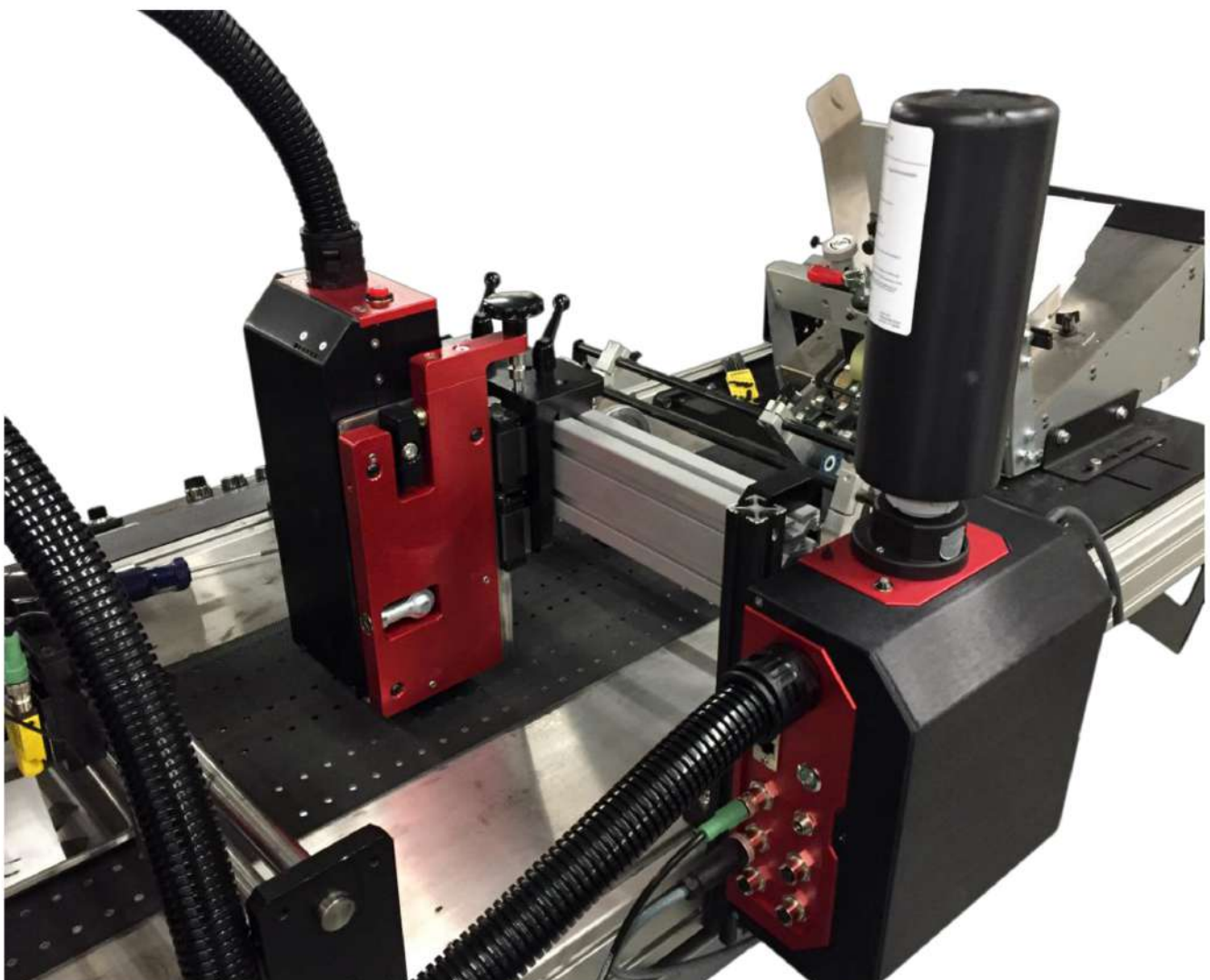


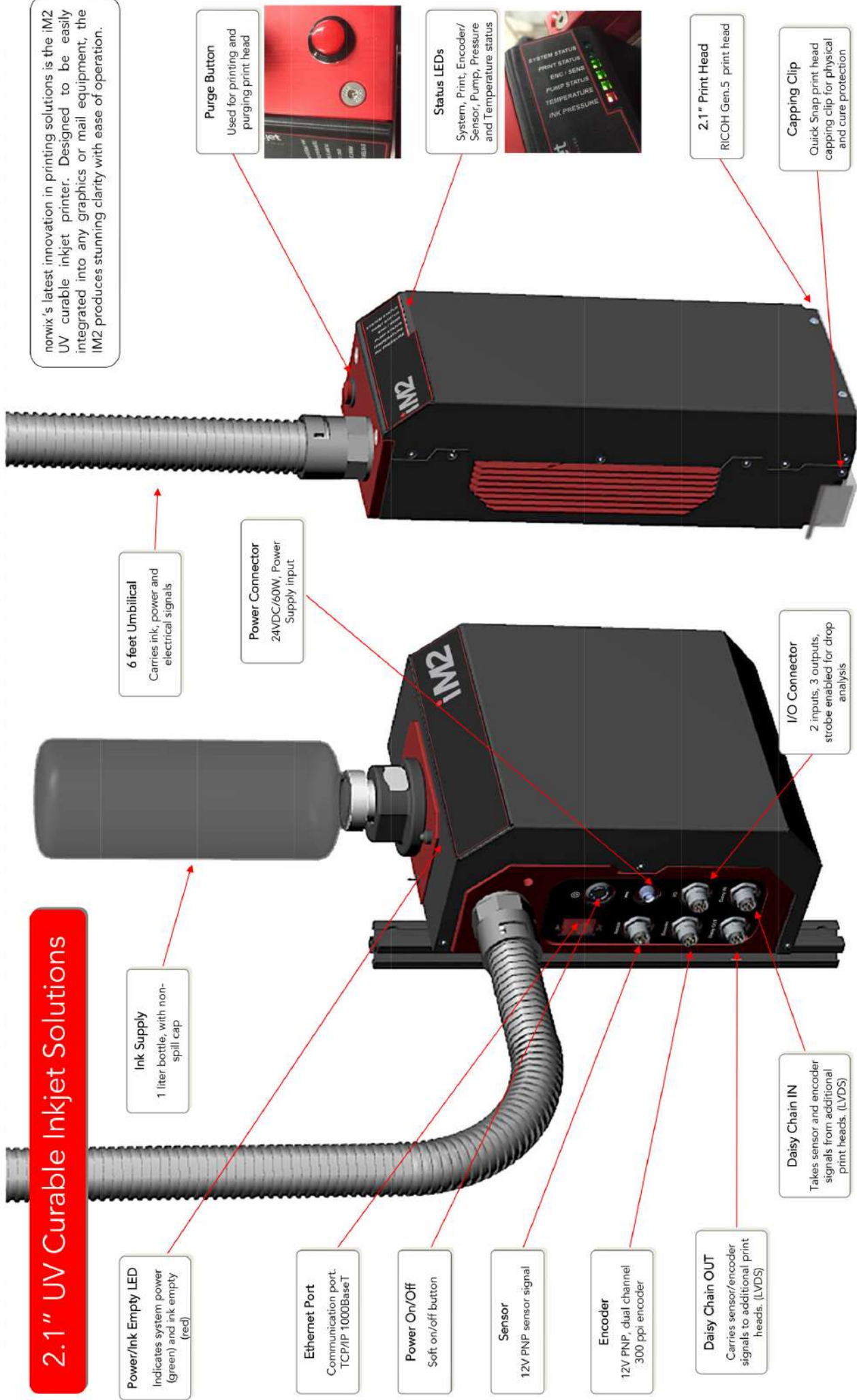
UV CURABLE PRINT SOLUTIONS

The high resolution iM2 printer provides a versatile, cost-effective solution to meet the need for variable data printing on a range of coated and uncoated substrates. Capable of printing addresses, barcodes, 2D codes, QR codes, numbering, logos and graphics, the iM2 is suitable for mailing and addressing applications, as well as labels, tickets, security, plastic cards and business form applications.

The very small footprint and modular design of the iM2 means that it is easily and quickly integrated into mailing lines, webs and card lines.



2.1" UV Curable Inkjet Solutions



Power/Ink Empty LED
Indicates system power (green) and ink empty (red)

Ethernet Port
Communication port. TCP/IP 1000BaseT

Power On/Off
Soft on/off button

Sensor
12V PNP sensor signal

Encoder
12V PNP, dual channel 300 ppi encoder

Daisy Chain OUT
Carries sensor/encoder signals to additional print heads. (LVDS)

Daisy Chain IN
Takes sensor and encoder signals from additional print heads. (LVDS)

Ink Supply
1 liter bottle, with non-spill cap

6 feet Umbilical
Carries ink, power and electrical signals

Power Connector
24VDC/60W, Power Supply input

I/O Connector
2 inputs, 3 outputs, strobe enabled for drop analysis

Purge Button
Used for printing and purging print head

Status LEDs
System, Print, Encoder/Sensor, Pump, Pressure and Temperature status

2.1" Print Head
RICOH Gen.5 print head

Capping Clip
Quick Snap print head capping clip for physical and cure protection

norwix's latest innovation in printing solutions is the IM2 UV curable inkjet printer. Designed to be easily integrated into any graphics or mail equipment, the IM2 produces stunning clarity with ease of operation.

High Quality, High Speed

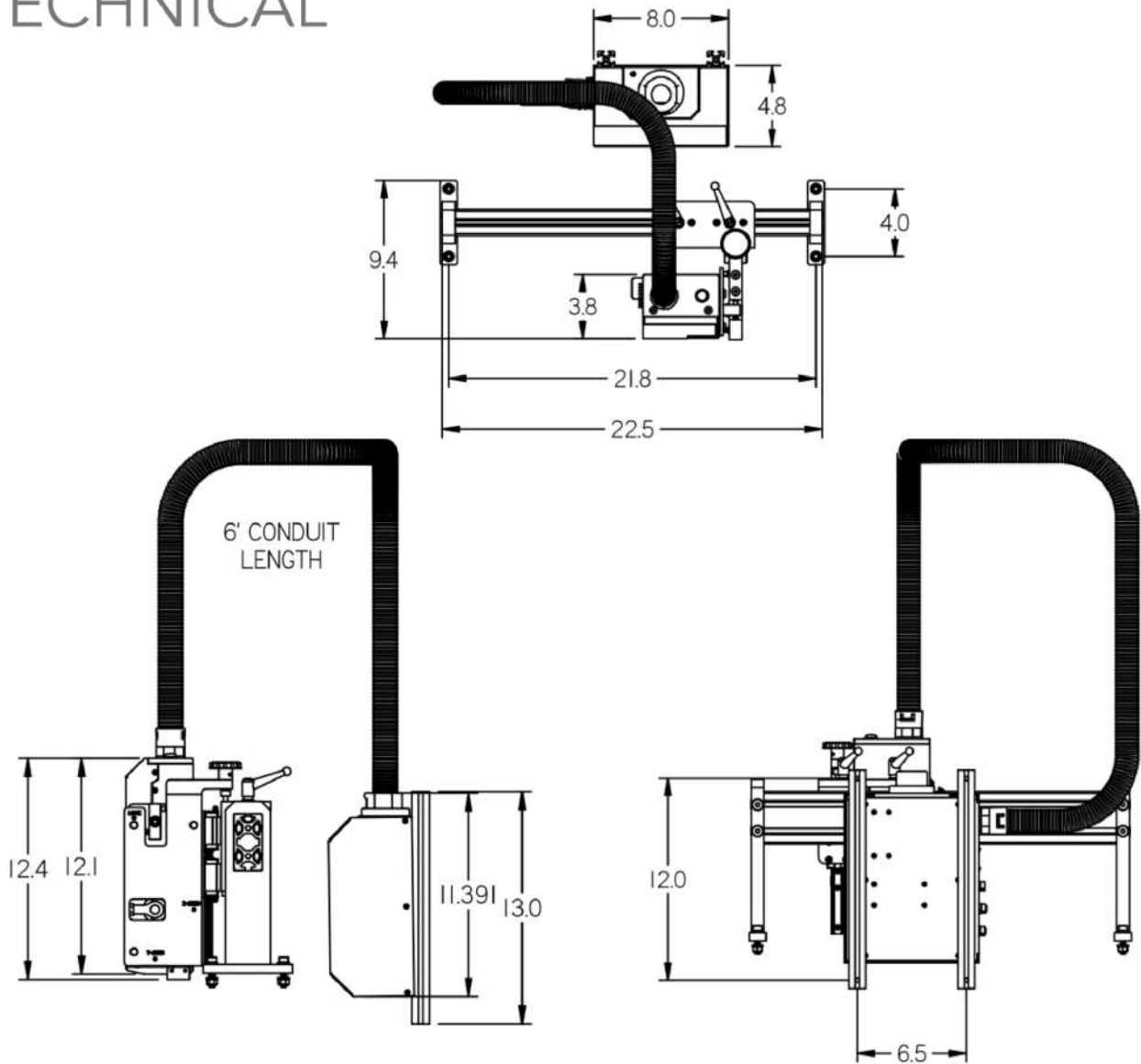
The IM2 supports up to a 600 dpi resolution giving you maximum quality at all times; there is little that cannot be printed with incredible sharpness. For all your graphics and mail applications the IM2 is capable of ultra fast speeds: to meet your productivity goals

Operation and Maintenance

Start up—Print ready can be achieved within five minutes, and job changeover is possible within seconds.
Print head purging—With print head mounting brackets moving between off-line purging and printer ready position, fast make ready can be achieved effortlessly.

Horizontal Resolution	Max Speed	
	m/min	ft/min
600	107	350
300	213	700
150	427	1400

TECHNICAL



Signal Description	Quantity	Pins	Type	Notes
Ethernet	1	8	Socket	RJ-45 Connector, supporting IP20 (standard) or IP67 connection (with Field Connect Kit that converts a standard Ethernet Cable).
AC Power Connector	1	3	Plug	IP20-rated AC input (IECC14, Type 15) AC Connector.
Pen Interface Connector	4	14	Socket	Power (2), Common (4), Signal (8)
Encoder Interface Connector	1	5	Plug	Power, B, Common, A, NC
Sensor Interface Connector	1	3	Socket	Power, Common, Signal – Interface is provided for PNP (Sourcing) Signals.
Input/Output Connector	1	14	Plug	12V, Common, Inputs (3x2), Outputs (2x2), and RS232 (TX, RX) – All I/O Inputs wired for 12V Input Signals.
Stack Light Connector	1	6	Socket	Green, Yellow, Red, Alarm – Output (4), Return GND (2)
Daisy Chain Output	1	4	Socket	Encoder (1x2), Sensor (1x2) Driver Outputs
Daisy Chain Input	1	4	Socket	Encoder (1x2), Sensor (1x2) Receiver Inputs